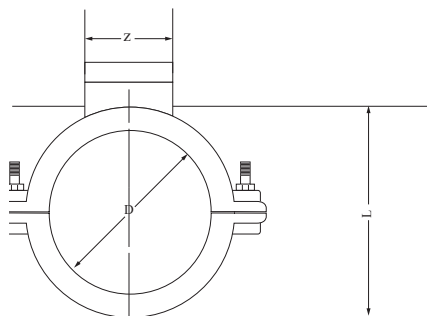




Asia Plastic PP Reinforced Clamp saddle / Đai khởi thủy REN ĐỒNG

Clamp Saddle with brass insert / Đai khởi thủy ren đồng



Quy cách	Quy cách	Quy cách	Áp lực
49mm x 3/4"	110mm x 3/4"	168mm x 3/4"	PN 16
50mm x 3/4"	114mm x 3/4"	177mm x 3/4"	PN 16
60mm x 3/4"	120mm x 3/4"	180mm x 3/4"	PN 16
63mm x 3/4"	125mm x 3/4"	200mm x 3/4"	PN 16
75mm x 3/4"	140mm x 3/4"	220mm x 3/4"	PN 16
90mm x 3/4"	160mm x 3/4"	225mm x 3/4"	PN 16

